

Roman Shades

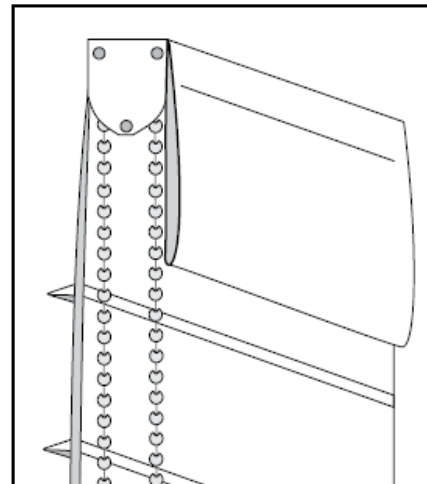
Manual and motorized Roman shades ensure reliability and ease of use. Shades can be made using COM (see below). Westports' fabric range also includes a wide selection of prints and wovens that can be used to fabricate Roman shades.

Styles

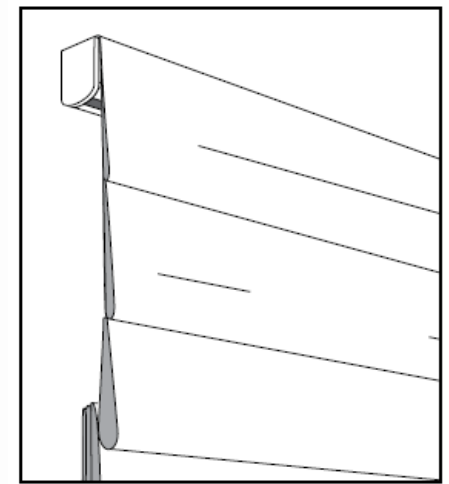
- **Flat Back Pleated Shades:** Constructed so the fabric gathers behind the shade as it is raised, maintaining a neat, flat appearance for the face of the shade. Cord runs through grommets for maximum durability. This shade style allows close mounting of the shade to the window when the lifting mechanism is in front of the panel. Flat shades may also be produced without pleating, using rings attached to the fabric lining to guide the cords. These are usually produced with sheer fabrics.
- **Soft Fold (Hobbled) Shades:** Face fabric is hobbled to the lining, creating curving fabric folds. This highlights the draping quality of a fabric.
- **Custom Shades:** Constructed with rings attached to the fabric. Recommended for public areas. Many other styles of gathers, pleats, and rolls are available, including:
 - Flat Back Pleated with Trim Roman Shade
 - Relaxed Roman Shade
 - Butterfly Roman Shade
 - Shaped with Decorative Banding Roman Shade
 - Fan Roman Shade
 - Balloon Roman Shade
 - Austrian Roman Shade

Fabrication

- Unlined, privacy-lined, 2-Pass blackout, and 3-Pass blackout-lined shades are available.
- For COM fabrics, customers must verify that fabric is suitable for that style of Roman shade.
 - Some shiny, stiff, or heavy fabrics will not fold correctly, and thus will not work for Roman shades.
 - Railroading fabrics may create issues with pleating / folding. It is preferable to use fabrics vertically, in the same direction they come off the roll. Pre-shrinking fabric may allow railroading of some fabrics (testing is required). When railroading is required, we recommend producing sample shades.



Flat Fold, shown back-mounted with valance



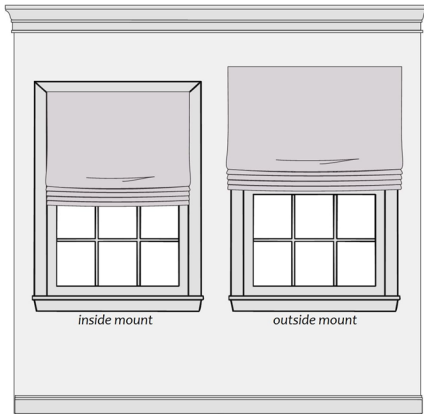
Soft Fold, shown front mounted

Note: Both Flat Fold and Soft Fold are available with either mounting option.

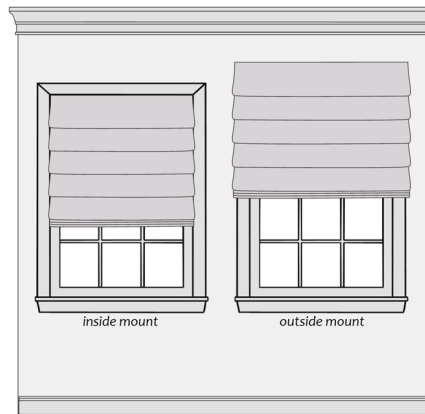
Roman Shade Styles

Below is a selection of Roman Shade styles. Standard Roman Shades are fabricated in the Flat Back Pleated style, which holds pleats in place when Shade is drawn. Also popular is the Soft Fold (also known as Hobbled) style, which creates soft folds when Shade is drawn.

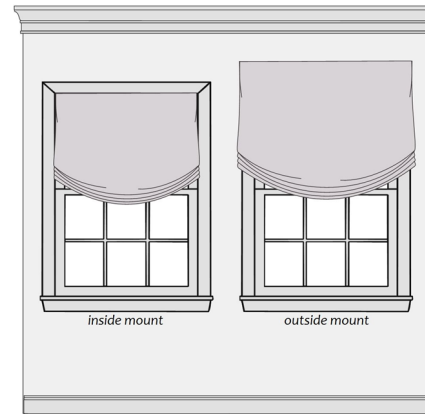
FLAT BACK PLEATED



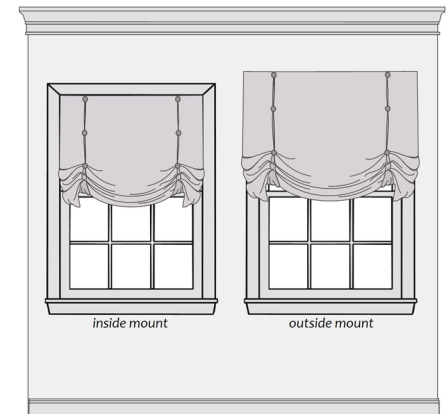
SOFT FOLD



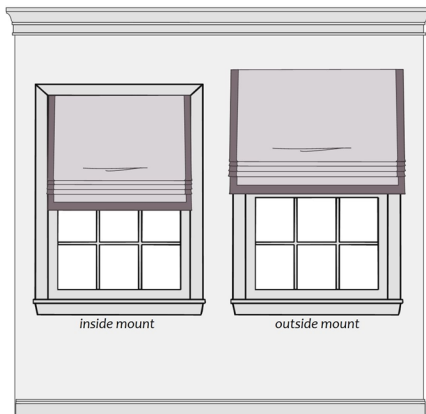
RELAXED



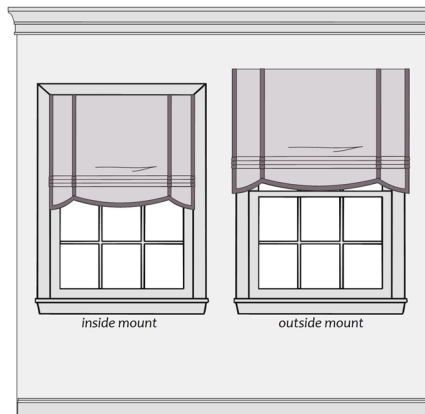
BUTTERFLY



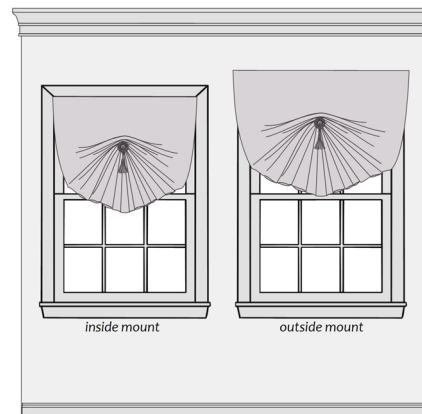
FLAT BACK PLEATED



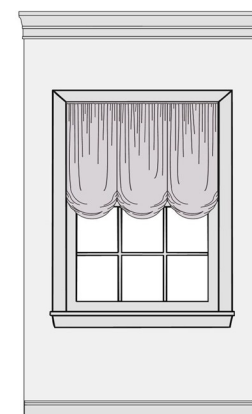
SHAPED WITH



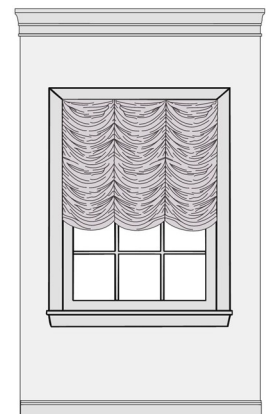
FAN



BALLOON



AUSTRIAN



Roman Shades

Draw System

- Lifting mechanism features either extruded aluminum rail, or an industry-standard clutch system with take-up reels. Please specify mechanism type and left or right position.
- Extruded aluminum rails features a continuous lift chain that allows shade to be leveled on site without untying cords.
- Chain with stops is used when shade can be raised in one turn or less.
- Stainless steel metal beaded chain is standard; nickel-plated or plastic bead chain is also available.
- Clutch / brake system enables shade to stop and hold at any point.
- Hold-down brackets secure chain to wall in compliance with ANSI standard for child safety (ANSI WCMA A100.1, Section 6.5).
- Lifting mechanisms may be mounted in front of the panel covered by a valance for easy access to the chain. Mechanisms can also be mounted to the back panel for a cleaner look.
- Motorization - wide range of controls, including switches, remotes, and more. Virtually any width or height is possible, limited only by the characteristics of the fabric, and the ability to transport shades to the location.

Other Options

- Valance fabric that contrasts or coordinates with the shade fabric.
- Hard cornice.
- Wood valance.
- Upholstered valance.
- Decorative banding, trims, and fringes are available.
- Mounting positions: inside / outside, ceiling, and wall.

Flat Back-Pleated

